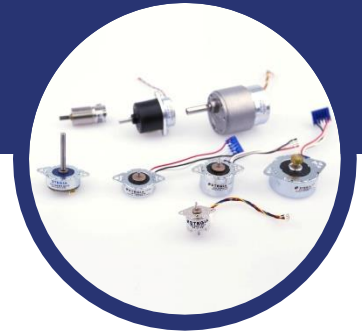


25L Series



Key Features

- High torque
- Low noise
- Small size

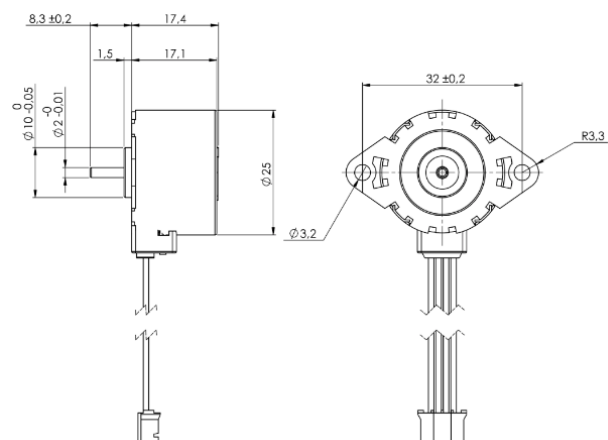
General Specifications

Partnumber	Step angle (°)	Voltage (V)	Current (A)	Resistance (Ω)	Inductance (mH)	Holding torque (mNm)	Detent torque (mNm)
25L24B0900	15°	24	0,5	9	6,7	35	4,8
25L24B2500	15°	24	0,5	25	17,6	45	4,8
24L48B0900	7,5°	24	0,5	9	8,7	43	5,0
25L48B2500	7,5°	24	0,5	25	21,3	45	5,0

Optional Features

Mechanical Dimensions

- Gearbox
- Custom winding, wire harness
- Custom pinion, leadscrew
- Custom shaft
- Other specifications

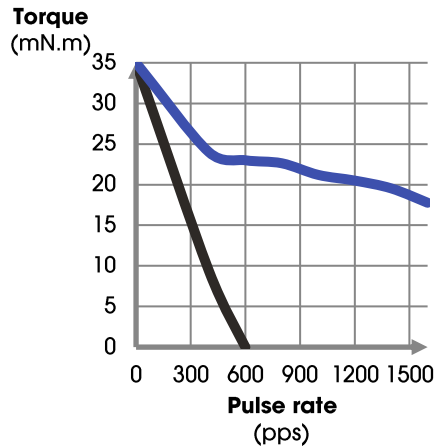


Dynamic Torque Curves

25L24B0900

Conditions: Bi-polar Constant Current Driver
 Driver: AMIS 30522
 Mode: Full Step

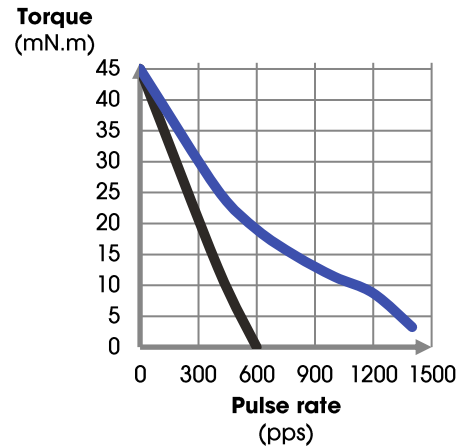
— Pull in torque — Pull out torque



25L24B2500

Conditions: Bi-polar Constant Current Driver
 Driver: AMIS 30522
 Mode: Full Step

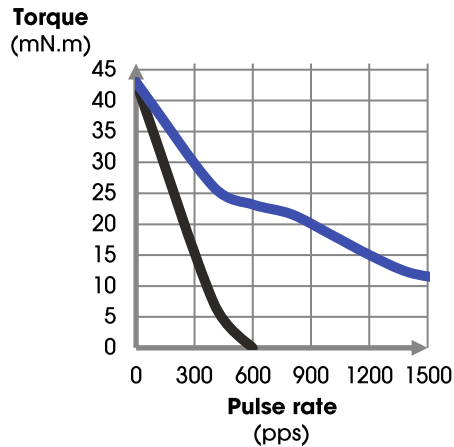
— Pull in torque — Pull out torque



25L48B0900

Conditions: Bi-polar Constant Current Driver
 Driver: AMIS 30522
 Mode: Full Step

— Pull in torque — Pull out torque



25L48B2500

Conditions: Bi-polar Constant Current Driver
 Driver: AMIS 30522
 Mode: Full Step

— Pull in torque — Pull out torque

