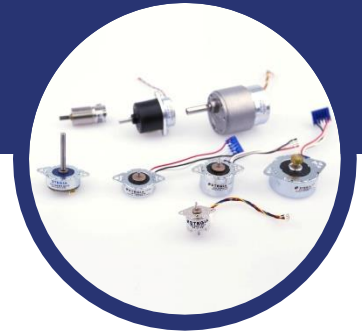


25LSG Series



Key Features

- High torque
- Low noise
- Small size
- Motor step angle 7,5° & 15°

General Specifications

Partnumber	Reduction (:1)	Step angle (°)	Voltage (V)	Current (A)	Resistance (ohm)	Inductance (mH)	Holding torque (mNm)
25LSG24B09R010-00	10	1,500°	24	0,5	9	6,7	350
25LSG24B09R021-00	21	0,714°	24	0,5	9	6,7	400
25LSG24B09R043-00	43	0,349°	24	0,5	9	6,7	400
25LSG24B09R090-00	90	0,167°	24	0,5	9	6,7	400
25LSG24B09R188-00	188	0,080°	24	0,5	9	6,7	400
25LSG24B09R392-00	392	0,038°	24	0,5	9	6,7	400
25LSG24B25R010-00	10	1,500°	24	0,5	25	17,6	400
25LSG24B25R021-00	21	0,714°	24	0,5	25	17,6	400
25LSG24B25R043-00	43	0,349°	24	0,5	25	17,6	400
25LSG24B25R090-00	90	0,167°	24	0,5	25	17,6	400
25LSG24B25R188-00	188	0,080°	24	0,5	25	17,6	400
25LSG24B25R392-00	392	0,038°	24	0,5	25	17,6	400

25LSG48B09R010-00	10	0,750°	24	0,5	9	8,7	400
25LSG48B09R021-00	21	0,357°	24	0,5	9	8,7	400
25LSG48B09R043-00	43	0,174°	24	0,5	9	8,7	400
25LSG48B09R090-00	90	0,083°	24	0,5	9	8,7	400
25LSG48B09R188-00	188	0,040°	24	0,5	9	8,7	400
25LSG48B09R392-00	392	0,019°	24	0,5	9	8,7	400
25LSG48B25R010-00	10	0,750°	24	0,5	25	21,3	400
25LSG48B25R021-00	21	0,357°	24	0,5	25	21,3	400
25LSG48B25R043-00	43	0,174°	24	0,5	25	21,3	400
25LSG48B25R090-00	90	0,083°	24	0,5	25	21,3	400
25LSG48B25R188-00	188	0,040°	24	0,5	25	21,3	400
25LSG48B25R392-00	392	0,019°	24	0,5	25	21,3	400

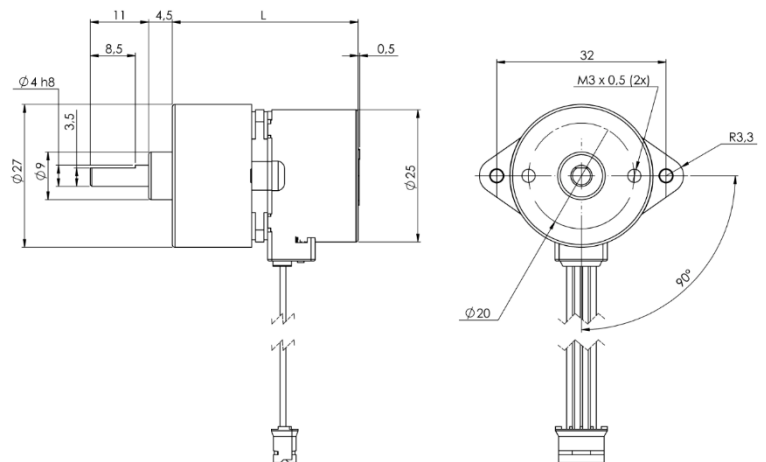
Optional Features

- Custom winding, wire harness
- Custom pinion, leadscrew
- Custom shaft

Length

- 35,1mm for 10:1 & 21:1
- 40,1mm for 43:1 & 90:1
- 45,1mm for 188:1 & 392:1

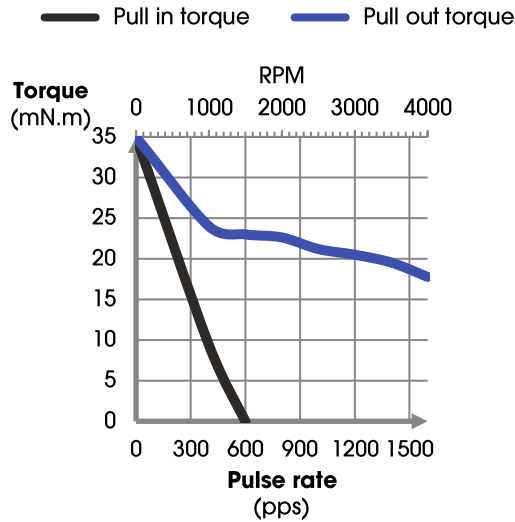
Mechanical Dimensions



Dynamic Torque Curves

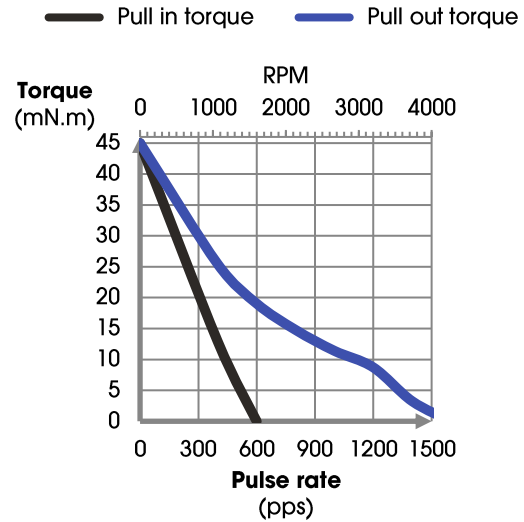
25LSG24B09

Conditions: Bi-polar Constant Current Driver
 Driver: AMIS 30522
 Mode: Full Step



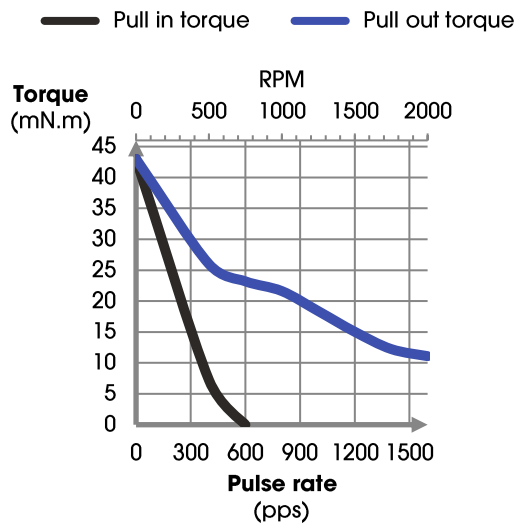
25LSG24B25

Conditions: Bi-polar Constant Current Driver
 Driver: AMIS 30522
 Mode: Full Step



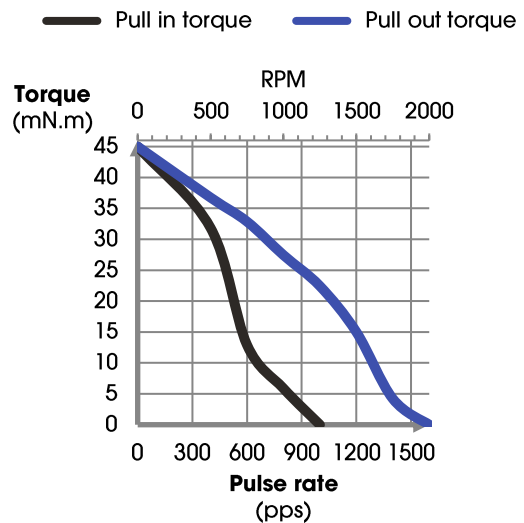
25LSG48B09

Conditions: Bi-polar Constant Current Driver
 Driver: AMIS 30522
 Mode: Full Step



25LSG48B25

Conditions: Bi-polar Constant Current Driver
 Driver: AMIS 30522
 Mode: Full Step



Stegia AB

Regattagatan 22B
 723 48 Västerås, Sweden
 +46 (0) 21 811 822
 info@stegia.com

Stegia Shanghai Co., Ltd.

A-7, No.38, Dongsheng Rd
 Pudong, Shanghai, China, 201201
 +86 21 58591682