

Anti-corrosion Hybrid Stepper Motor



Key Features

- High Torque
- Low Noise
- Small Size
- Step angle: 1.8°

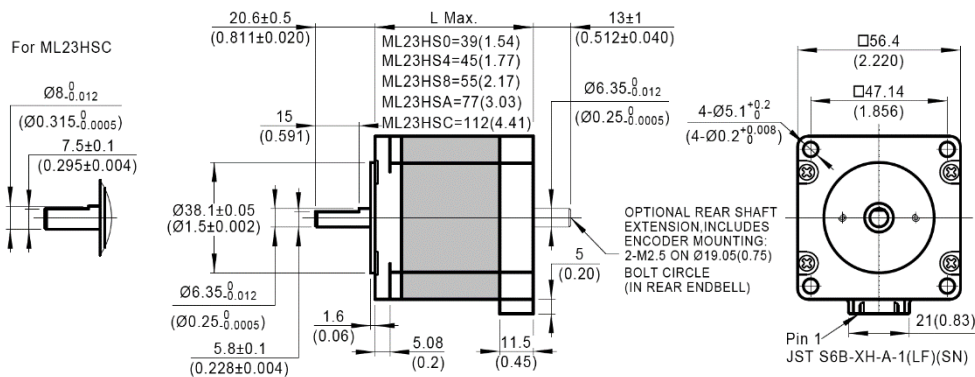
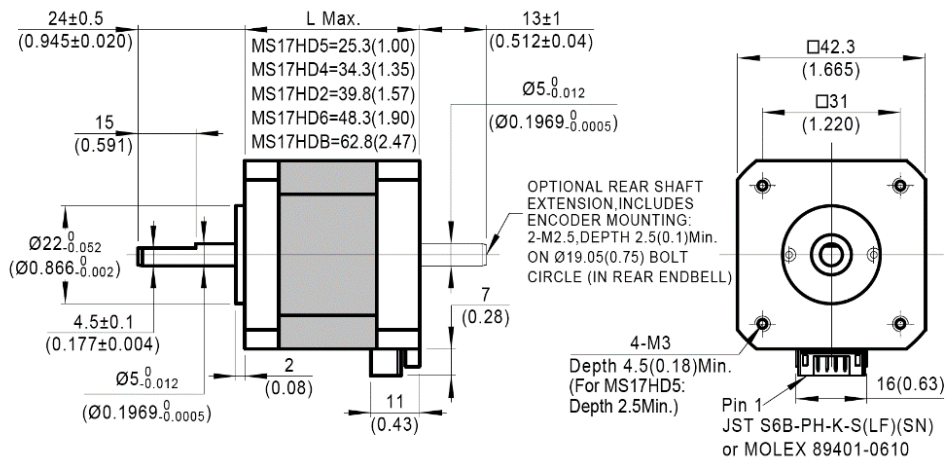
General Specifications

- Bi-polar

Part Number	Length (mm)	Connect P=Plug L=Leads	Holding Torque (mNm)	Resistance per Phase (Ω)	Inductance per Phase (mH)	Detent Torque (mNm)
MS17HD2P4200-10	39.8	P	430	1.04	2.2	15
ML23HS8P4150-02	55	P	125	3.1	13.6	45

Mechanical Dimensions

Series	L (mm)	Mass (kg)
MS17HD2	39.8	0.28
ML23HS8	55	0.6



Dynamic Torque Curves

