

HYPERGEAR

Key Features

- High torque
- Compact design
- Close loop
- BUS & analog control
- LED indication
- IP 54



General Specifications

Series	Reduction (:1)	Length (L)	Maximum torque (Nm)
WGE42S.22P	22	39.8	2.5
WGE42M.22P	22	48.3	5.0
WGE42L.22P	22	62.8	10.0
WGE42XL.22P	22	77.1	15.0
WGE42S.10P	10	39.8	1.1
WGE42M.10P	10	48.3	2.7
WGE42L.10P	10	62.8	4.5
WGE42XL.10P	10	77.1	6.8

Stegia AB

Regattagatan 22B
723 48 Västerås
Sweden
+46 (0) 21 811 822
info@stegia.com

Stegia Shanghai Co., Ltd.

1F, Block 8, No. 365 Chuanhong Road
Pudong New Area, Shanghai 201202
P.R. China
+86 21 58 59 16 82

Integrated Wormgear Specifications

Power Amplifier	
Output Torque	Up to 15Nm
Power Supply	External 24VAC/DC
Protection	Over-voltage, under-voltage, over-temp, internal motor shorts, (phase-to-phase, phase-to-ground)
Controller	
Microstep motor resolution	Software selectable, 200 to 51200 steps/rev
Encoder Feedback	2048 pulses/rev, analog 0-10V
Output shaft resolution	0.09 Degrees
Sensors	Temperature, power, voltage, current, shaft angle
Gearbox	22:1 and 10:1 gearing. Backlash less than 0.16 degrees
Bearing	Double ball bearings
Speed Range	Up to 140 RPM
Modes of operation	Velocity mode (e.g. pumps, conveyor systems) Positioning mode (open loop, closed loop e.g. actuator, damper motor, ventilation, divert systems) Coolstep (load dependent current control, with energy saving up to 75%)
Digital input	2 pcs optically isolated 12-24V inputs
Digital output	1 pcs optically isolated 24 V output
Analog input	0-10V Input referenced to GND
Indicators	2pcs red-green LED's, LED ring with 36 blue LED's
Analog output	1 pcs 0-10V output
Communication	I/O-signals, CANOpen, Modbus
Operating temperature	0-40 C
Humidity	85%, IP54
Mass	Up to 1kg
Power consumption	0.98W (in standby mode)
Connectors	M8, M12, Flying Eels 2.0

Stegia AB

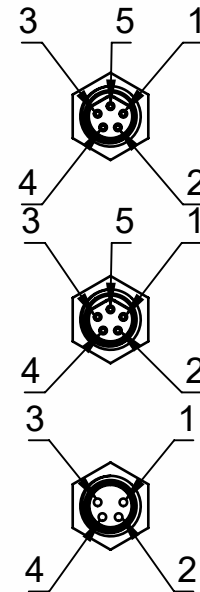
Regattagatan 22B
723 48 Västerås
Sweden
+46 (0) 21 811 822
info@stegia.com

Stegia Shanghai Co., Ltd.

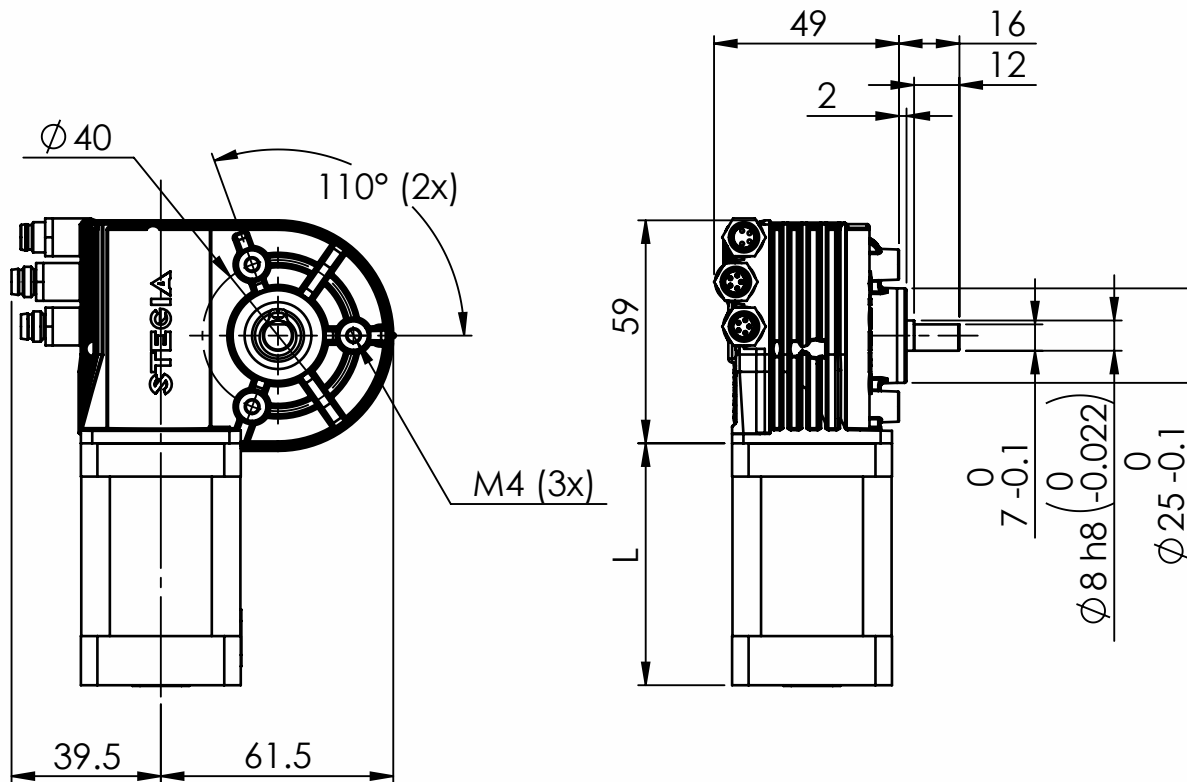
1F, Block 8, No. 365 Chuanhong Road
Pudong New Area, Shanghai 201202
P.R. China
+86 21 58 59 16 82

Connector Pin-Out

Pin	Signal	Interface	Standard
1	CAN Shield	M8 CAN	M8 5P B-inverse Standard M8 IEC 61076-2-104
5	CAN L		
3	CAN H		
2	I/O VCC		
4	I/O GND		
4	I/O GND	M8 I/O	M8 5P B-inverse Standard M8 IEC 61076-2-104
2	I/O VCC		
5	I/O OUT		
3	I/O IN 1		
1	I/O IN 2	M8 Supply	M8 4P A-coded Standard M8 IEC 61076-2-104
2	Supply GND		
3	Supply GND		
4	Supply VCC		
1	Supply VCC		



Dimensions (UNIT:MM)



Stegia AB

Régattagatan 22B
723 48 Västerås
Sweden
+46 (0) 21 811 822
info@stegia.com

Stegia Shanghai Co., Ltd.

1F, Block 8, No. 365 Chuanhong Road
Pudong New Area, Shanghai 201202
P.R. China
+86 21 58 59 16 82