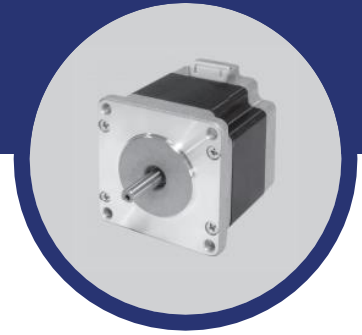


NEMA 34 Smooth Hybrid Stepper Motor



Key Features

- Very Smooth Movement
- High Precision
- Non Oscillation at Low Frequency
- High Torque at High-Frequency
- Step angle: 1.2°

General Specifications

Part Number	Length (mm)	Connect P=Plug L=Leads	Holding Torque (mNm)	Resistance per Phase (Ω)	Inductance per Phase (mH)	Detent Torque (mNm)
34HC0309	67	L	2800	5	19.1	100
34HC0310	67	L	2800	2.3	8.4	100
34HC0305	67	L	2700	0.54	1.95	100
34HC1308	96.5	L	5400	6	28	230
34HC1309	96.5	L	5300	2.5	12	230
34HC1305	96.5	L	5000	0.62	2.7	230
34HC2310	126	L	6700	6.8	36	350
34HC2311	126	L	6800	3.3	16.8	350
34HC2306	126	L	6800	0.88	4.5	350

Stegia AB

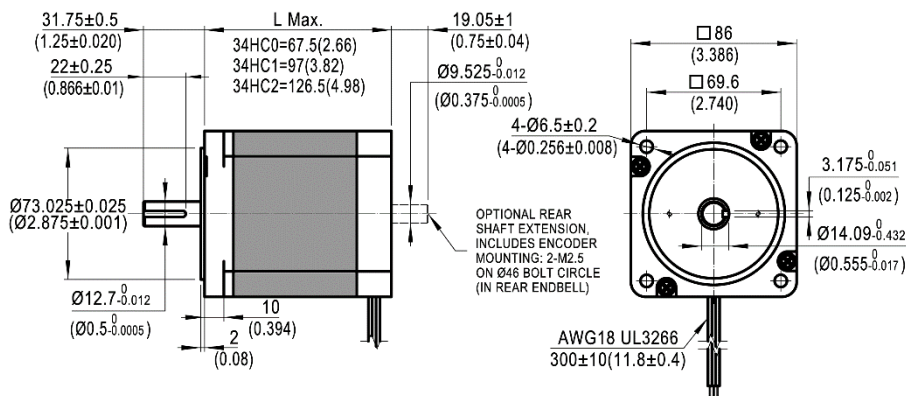
Regattagatan 22B
723 48 Västerås, Sweden
+46 (0) 21 811 822
info@stegia.com

Stegia Shanghai Co., Ltd.

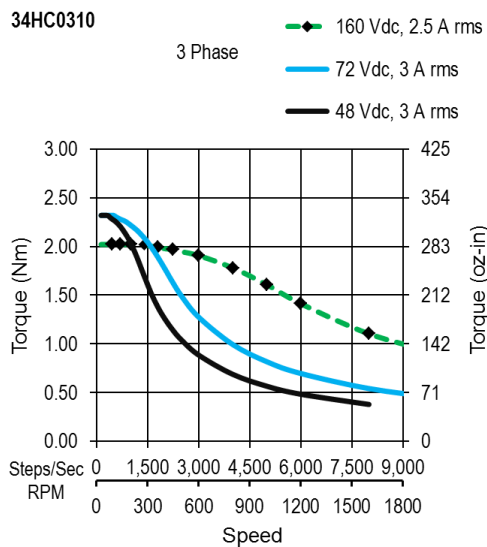
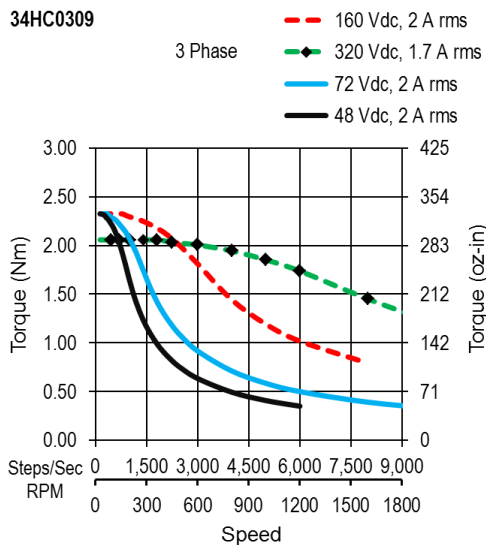
A-7, No.38, Dongsheng Rd
Pudong, Shanghai, China, 201201
+86 21 58591682

Mechanical Dimensions

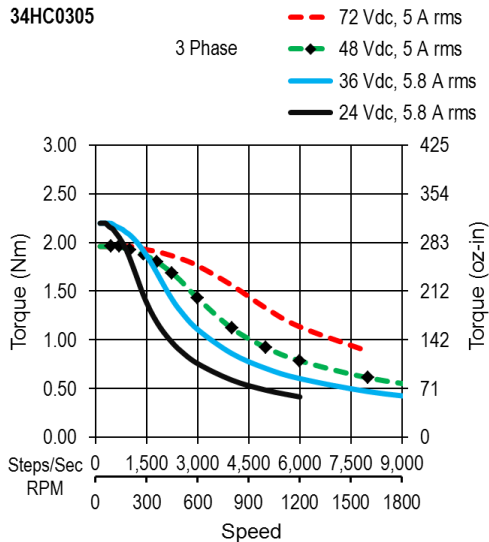
Series	L (mm)	Mass (kg)
34HC0	67	1.6
34HC1	96.5	2.7
34HC2	126	3.8



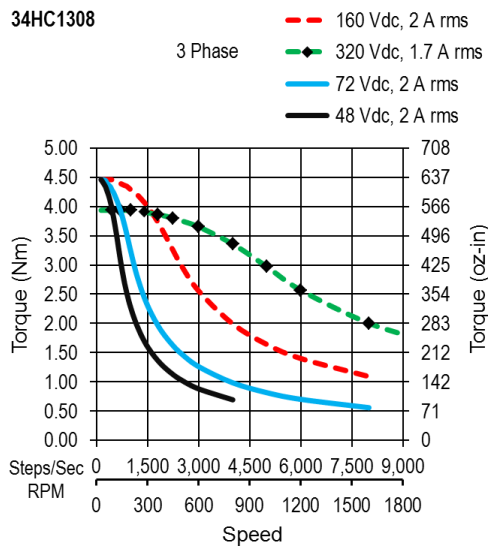
Dynamic Torque Curves



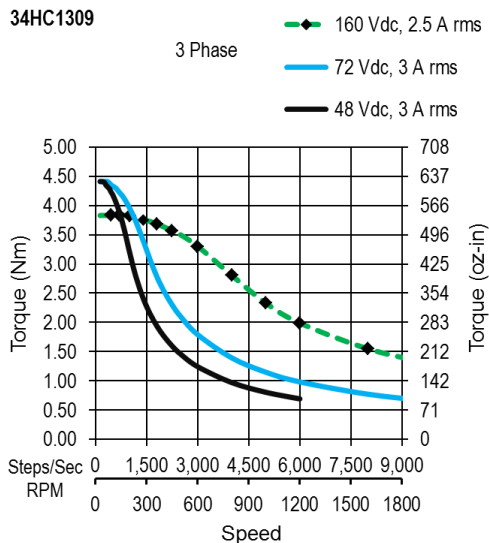
34HC0305



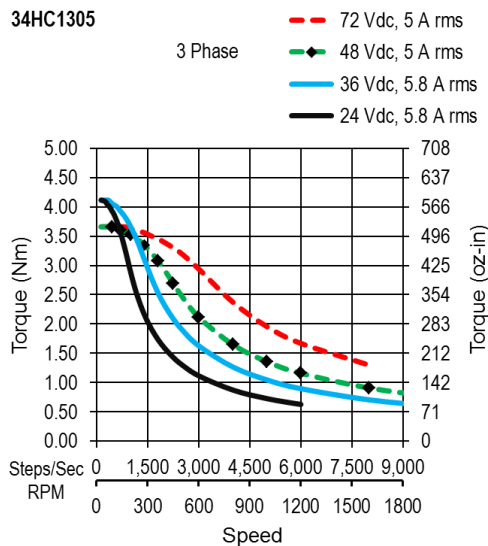
34HC1308

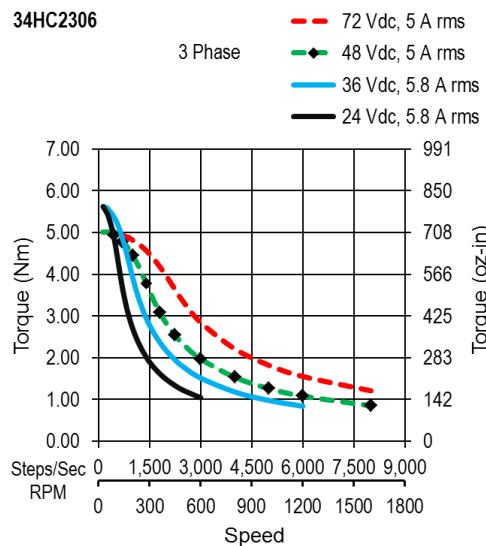
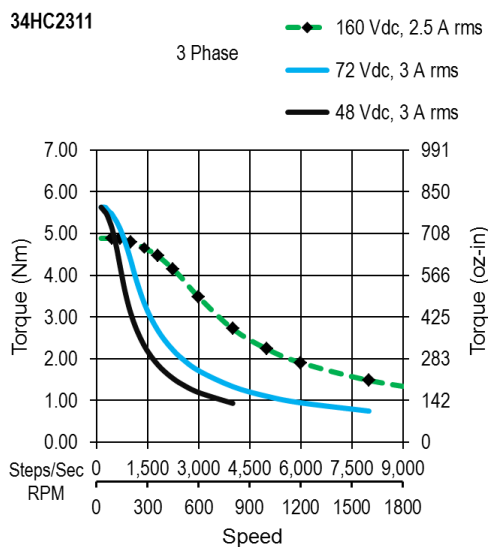
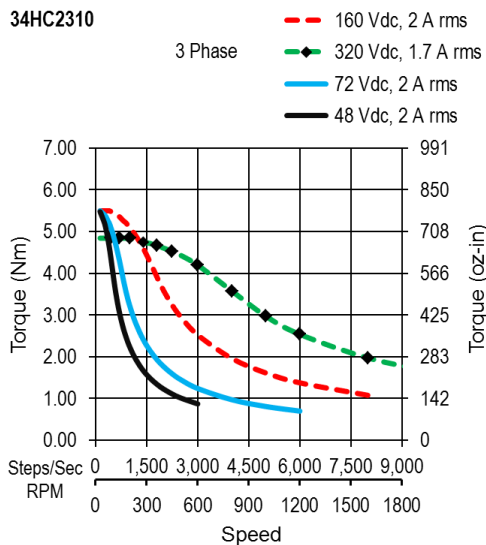


34HC1309



34HC1305





Stegia AB

Regattagatan 22B
723 48 Västerås, Sweden
+46 (0) 21 811 822
info@stegia.com

Stegia Shanghai Co., Ltd.

A-7, No.38, Dongsheng Rd
Pudong, Shanghai, China, 201201
+86 21 58591682