

■ Gearhead Motor Specification

□ 80mm Frame

Introduction

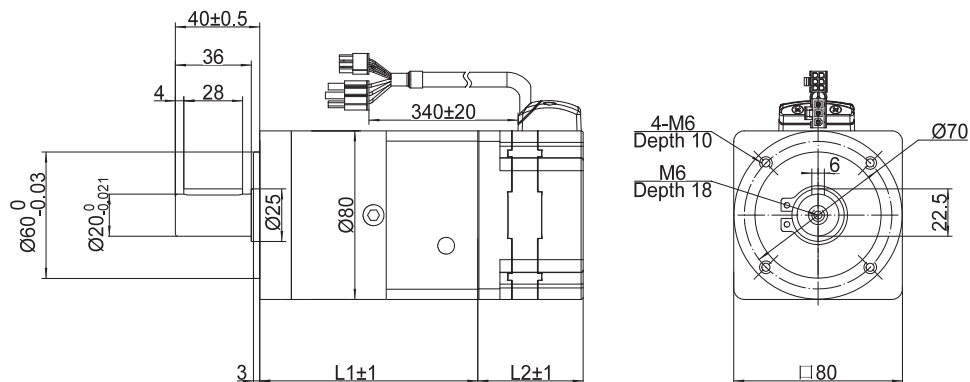
M2 AC Servo System

Type		AM80BL100L2-PG10A	AM80BL100L2-PG20A	AM80BL100L2-PG32A	AM80BL100L2-PG60A	AM80BL200L4-PG10A	AM80BL200L4-PG20A
Voltage	VDC	24				48	
Rated Power	W	100				200	
Ratio		10	20	32	60	10	20
Max. output Torque	N·m	2.4	4.8	7.68	14.4	4.8	9.6
Peak output torque	N·m	4.8	9.6	15.36	28.8	9.6	19.2
Max. load torque	N·m	80	240	240	240	80	240
Stage		1	2	2	3	1	2
Backlash	arcmin	≤10	≤15	≤15	≤20	≤10	≤15
Efficiency		96%	94%	94%	90%	96%	94%
Rated output speed	r/min	400	200	125	66	400	200
Max. output speed	r/min	450	225	140	75	450	225
Motor rotor inertia	Kg·m ²	0.38x10 ⁻⁴				0.74x10 ⁻⁴	
Gearhead Inertia	Kg·m ²	0.39x10 ⁻⁴	0.44x10 ⁻⁴	0.39x10 ⁻⁴	0.7x10 ⁻⁴	0.39x10 ⁻⁴	0.44x10 ⁻⁴
L1	mm	95.5	113.5	113.5	131	95.5	113.5
L2	mm	50	50	50	50	67	67
Matching Drive		BLD10 Series					

M2 DC Servo System

Type		AM80BL200L4-PG32A	AM80BL200L4-PG60A	AM80BL300L4-PG10A	AM80BL300L4-PG20A	AM80BL300L4-PG32A	AM80BL300L4-PG60A
Voltage	VDC	48					
Rated Power	W	200		300			
Ratio		32	60	10	20	32	60
Max. output Torque	N·m	15.36	28.8	7.2	14.4	23.04	43.2
Peak output torque	N·m	30.72	57.6	14.4	28.8	46.08	86.4
Max. load torque	N·m	240	240	80	240	240	240
Stage		2	3	1	2	2	3
Backlash	arcmin	≤15	≤20	≤10	≤15	≤15	≤20
Efficiency		94%	90%	96%	94%	94%	90%
Rated output speed	r/min	125	66	400	200	125	66
Max. output speed	r/min	140	75	450	225	140	75
Motor rotor inertia	Kg·m ²	0.74x10 ⁻⁴		0.108x10 ⁻⁴			
Gearhead Inertia	Kg·m ²	0.39x10 ⁻⁴	0.7x10 ⁻⁴	0.39x10 ⁻⁴	0.44x10 ⁻⁴	0.39x10 ⁻⁴	0.7x10 ⁻⁴
L1	mm	113.5	131	95.5	113.5	113.5	131
L2	mm	67	67	84	84	84	84
Matching Drive		BLD10 Series					

■ Dimensions (Unit: mm)



BLD Brushless DC Motor & Drives