

R36BLDC Motor Series: 36mm, 4-20 Watts



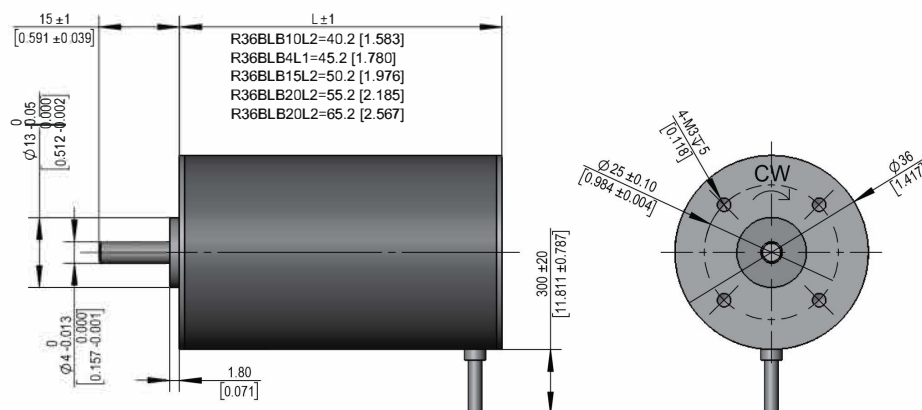
- Commutation Signals
 - Insulation Class
 - Protective Rating
 - Operating Temperature
 - Storage Temperature
 - Operating RH
 - Operating Environment
 - Altitude
- Hall Sensor
B (130°C)
IP40
0 ~ +50°C
-25 ~ +70°C
85%RH or Below (non-condensing)
Indoor, no corrosive gas, no flammable gas, no oil mist, no dust
1000m max

Technical Specification

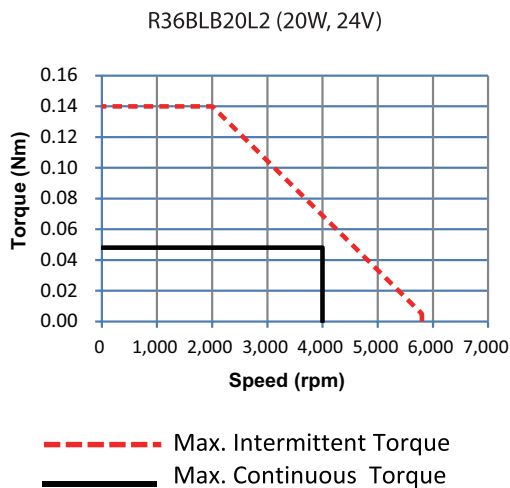
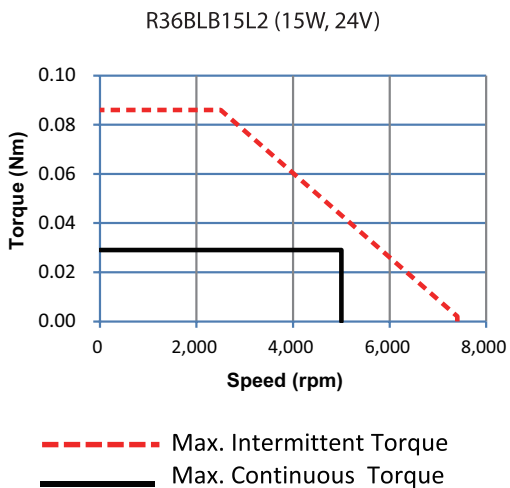
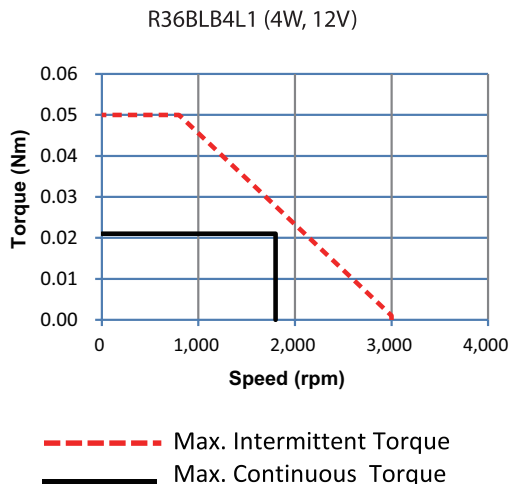
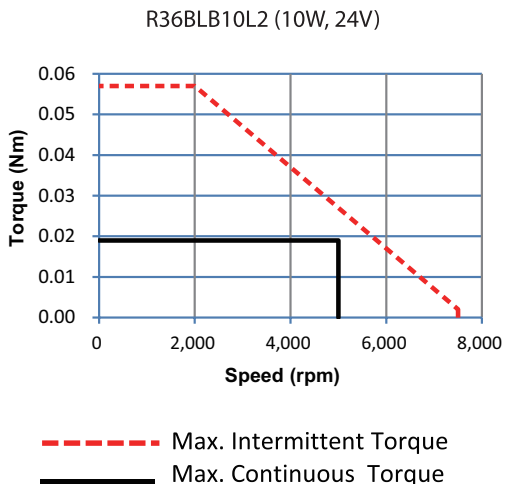
Series				R36BLB15		R36BLB20-1
Length	mm	40.2	45.2	50.2	55.2	65.2
Model Number		R36BLB10L2	R36BLB4L1	R36BLB15L2	R36BLB20L2	R36BLB20L2-1
DC Supply Voltage	V dc	24	12	24	24	24
Rated Output Power	Watts	10	4	15	20	20
Rated Speed	RPM	5000	1800	5000	4000	3000
Rated Torque	Nm	0.019	0.021	0.029	0.048	0.064
Rated Current	A rms	0.75	0.75	0.98	1.3	1.09
Max. Intermitent Torque	Nm	0.057	0.050	0.086	0.140	0.191
Max. Intermitent Current	A rms	2.25	2.25	2.94	3.9	3.27
Voltage Constant	Vrms / K RPM	2.1	2.55	2.76	3.11	4.17
Torque Constant	Nm / A rms	0.025	0.028	0.029	0.037	0.058
Winding Line Resistance	Ohms	5.8	5.5	3.6	2.85	3.3
Winding Line Inductance	mH	8.3	7.8	5.81	4.06	7.1
Max. Mechanical Speed	RPM	7500	3000	7400	5800	4200
Moment of Inertia	kg m ²	3.148x 10 ⁻⁶	4.197x 10 ⁻⁶	5.248x 10 ⁻⁶	6.296x 10 ⁻⁶	8.395x 10 ⁻⁶
Phases		3	3	3	3	3
Pole-Pairs		2	2	2	2	2

Mechanical Dimension

Unit: mm



Torque - Speed Features



Introduction of BLDC Motors

42 BLDC Motors

57 BLDC Motors

70 BLDC Motors

80 BLDC Motors

Round BLDC Motors

R16 BLDC Motors

R22 BLDC Motors

R30 BLDC Motors

R36 BLDC Motors

R42 BLDC Motors

R57 BLDC Motors

R63 BLDC Motors