



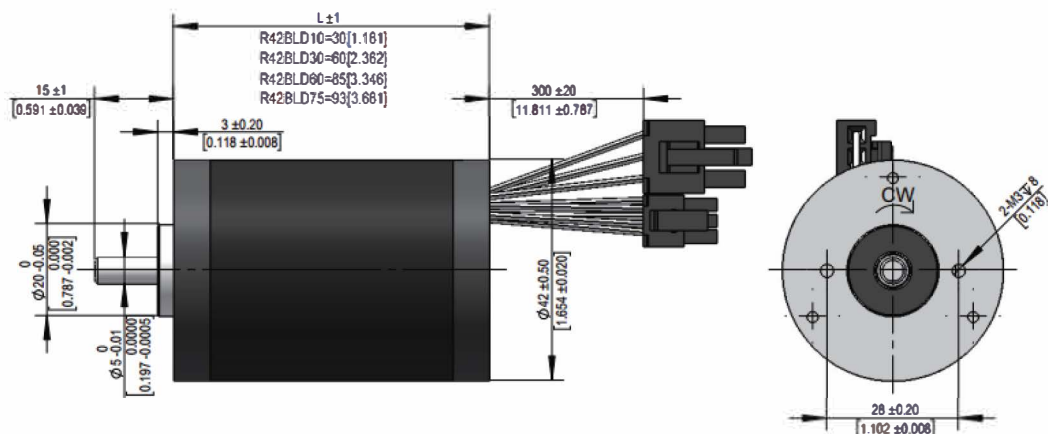
- Commutation Signals
 - Insulation Class
 - Protective Rating
 - Operating Temperature
 - Storage Temperature
 - Operating RH
 - Operating Environment
 - Altitude
- Hall Sensor
B (130°C)
IP40
0 ~ +50°C
-25 ~ +70°C
85%RH or Below (non-condensing)
Indoor, no corrosive gas, no flammable gas, no oil mist, no dust
1000m max

Technical Specification

		R42BLB13	R42BLD30	R42BLD60	R42BLD75
Length	mm	33	60	83	93
Model Number		R42BLB13L2	R42BLD30L3	R42BLD60L2	R42BLD75L2
DC Supply Voltage	V dc	24	36	24	24
Rated Output Power	Watts	13	30	60	75
Rated Speed	RPM	2000	4000	4000	4000
Rated Torque	Nm	0.062	0.08	0.15	0.18
Rated Current	A rms	0.91	1.67	4.00	4.80
Max. Intermitent Torque	Nm	0.054	0.24	0.45	0.54
Max. Intermitent Current	A rms	1.50	5.00	12.00	14.00
Voltage Constant	Vrms / K RPM	4.3	4.50	2.1	3.00
Torque Constant	Nm / A rms	0.036	0.048	0.060	0.055
Winding Line Resistance	Ohms	7	1.60	2.3	0.50
Winding Line Inductance	mH	6.5	1.90	1.6	0.50
Max. Mechanical Speed	RPM	3300	4500	5000	4500
Moment of Inertia	kg m ²	2.149x 10 ⁻⁴	0.033x 10 ⁻⁴	0.015x 10 ⁻⁴	0.094x 10 ⁻⁴
Phases		3	3	3	3
Pole-Pairs		2	4	4	4

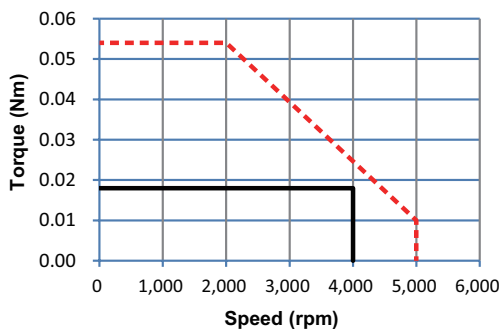
Mechanical Dimension

Unit: mm



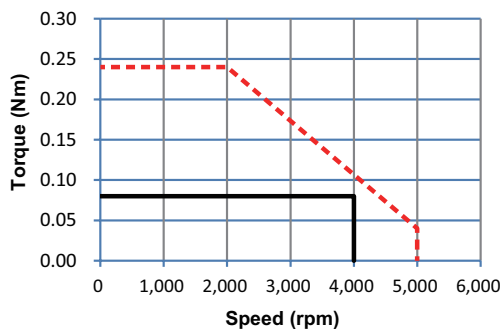
Torque - Speed Features

R42BLB13L2 (13W, 24V)



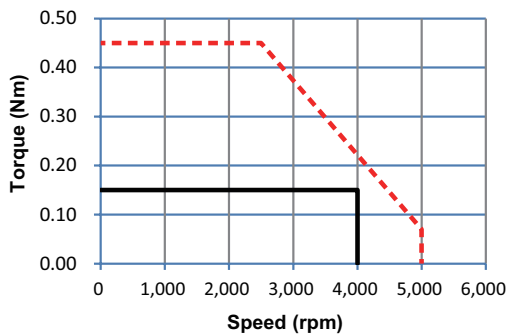
--- Max. Intermittent Torque
 ——— Max. Continuous Torque

R42BLD30L3 (30W, 36V)



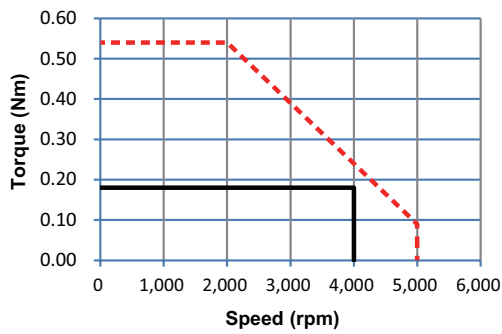
--- Max. Intermittent Torque
 ——— Max. Continuous Torque

R42BLD60L2 (60W, 24V)



--- Max. Intermittent Torque
 ——— Max. Continuous Torque

R42BLD75L2 (75W, 24V)



--- Max. Intermittent Torque
 ——— Max. Continuous Torque

Introduction of BLDC Motors

□ 42 BLDC Motors

□ 57 BLDC Motors

□ 70 BLDC Motors

□ 80 BLDC Motors

Round BLDC Motors

R16 BLDC Motors

R22 BLDC Motors

R30 BLDC Motors

R36 BLDC Motors

R42 BLDC Motors

R57 BLDC Motors

R63 BLDC Motors