

R57BLDC Motor Series: 57mm, 50-180 Watts



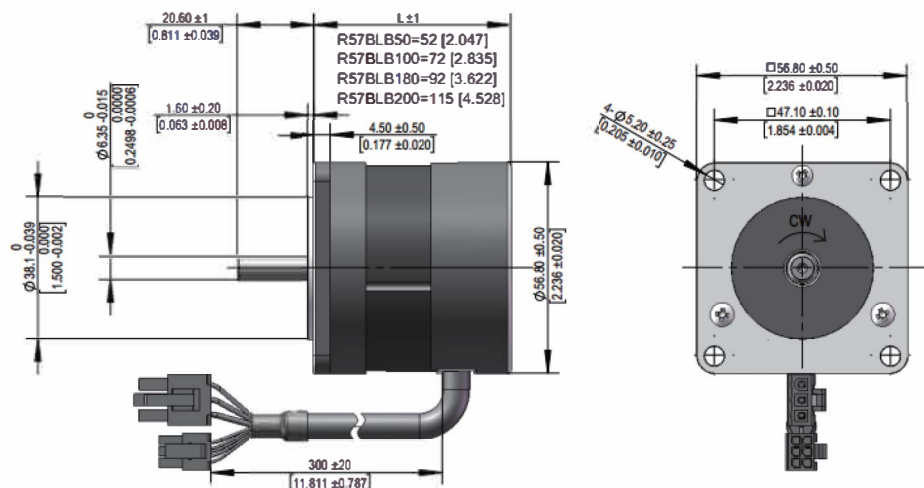
- Commutation Signals
 - Insulation Class
 - Protective Rating
 - Operating Temperature
 - Storage Temperature
 - Operating RH
 - Operating Environment
 - Altitude
- Hall Sensor
B (130°C)
IP40
0 ~ +50°C
-25 ~ +70°C
85%RH or Below (non-condensing)
Indoor, no corrosive gas, no flammable gas, no oil mist, no dust
1000m max

Technical Specification

		R57BLB50	R57BLB100	R57BLB130	R57BLB180
Length	mm	52.9	72.4	92.9	112.4
Model Number		R57BLB50L2	R57BLB100L2	R57BLB130L3	R57BLB1800L3
DC Supply Voltage	V dc	24	24	36	36
Rated Output Power	Watts	51	100	135	180
Rated Speed	RPM	4000	4000	4000	3175
Rated Torque	Nm	0.13	0.25	0.33	0.55
Rated Current	A rms	3.00	5.85	5.4	6.86
Max. Intermitent Torque	Nm	0.39	0.75	16.20	1.65
Max. Intermitent Current	A rms	9.00	17.55	16.2	20.58
Voltage Constant	Vrms / K RPM	5.0	5.1	7.3	8.3
Torque Constant	Nm / A rms	0.050	0.047	0.062	0.100
Winding Line Resistance	Ohms	0.92	0.32	0.53	0.49
Winding Line Inductance	mH	1.84	0.68	1.29	1.19
Max. Mechanical Speed	RPM	5000	5000	5000	5000
Moment of Inertia	kg m ²	0.067x 10 ⁻⁴	0.122x 10 ⁻⁴	0.172x 10 ⁻⁴	0.234x 10 ⁻⁴
Phases		3	3	3	3
Pole-Pairs		2	2	2	2

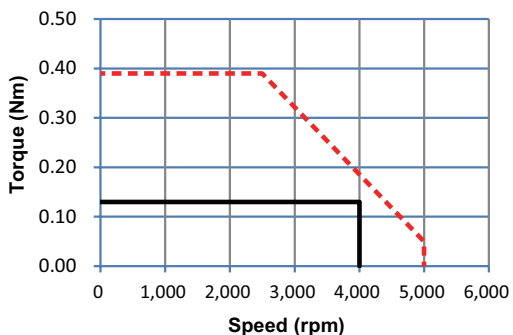
Mechanical Dimension

Unit: mm



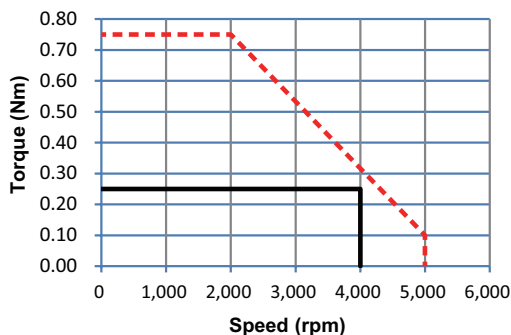
Torque - Speed Features

R57BLB50L2 (50W, 24V)



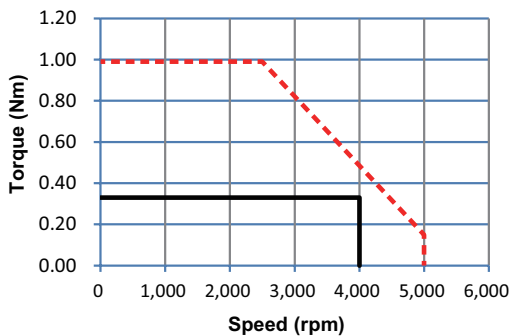
--- Max. Intermittent Torque
 — Max. Continuous Torque

R57BLB100L2 (100W, 24V)



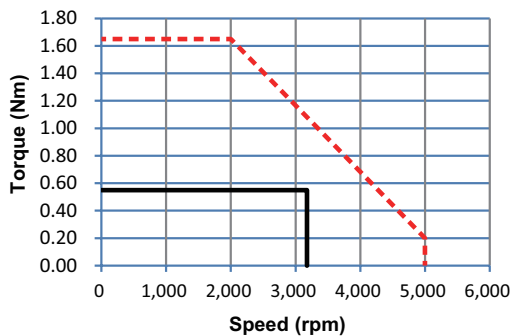
--- Max. Intermittent Torque
 — Max. Continuous Torque

R57BLB130L3 (130W, 36V)



--- Max. Intermittent Torque
 — Max. Continuous Torque

R57BLB180L3 (180W, 36V)



--- Max. Intermittent Torque
 — Max. Continuous Torque

Introduction of BLDC Motors

42 BLDC Motors

57 BLDC Motors

70 BLDC Motors

80 BLDC Motors

Round BLDC Motors

R16 BLDC Motors

R22 BLDC Motors

R30 BLDC Motors

R36 BLDC Motors

R42 BLDC Motors

R57 BLDC Motors

R63 BLDC Motors